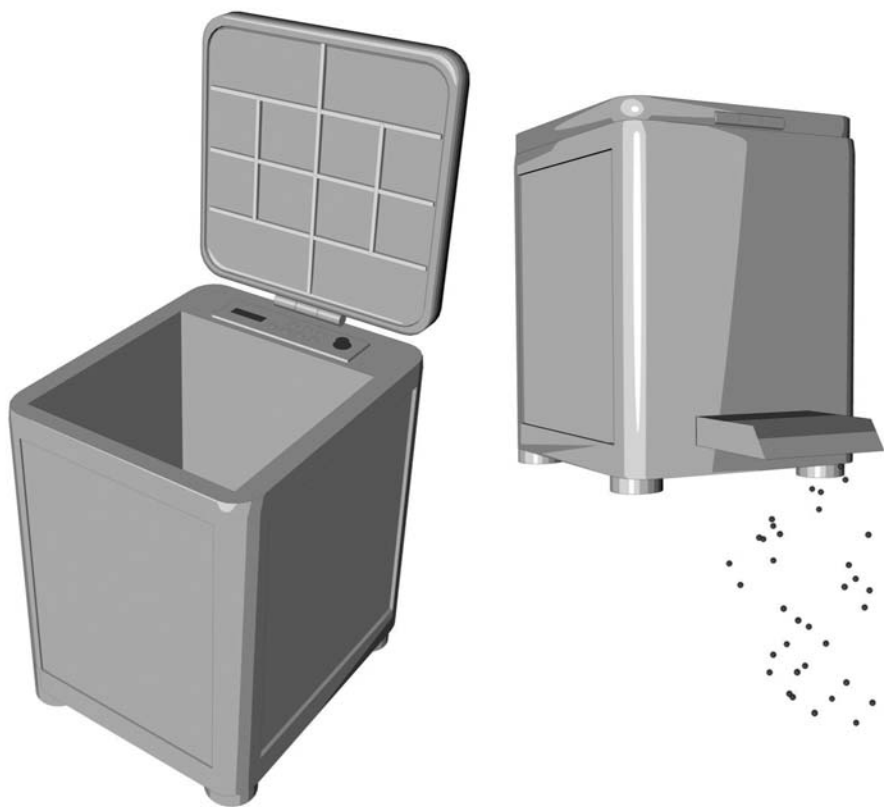


AQUA[®]
FORTE

Computer controlled
koifeeder



USER INSTRUCTIONS

Computer controlled fish feeder.

Now you can feed your fish 1 to 5 times per day safe and reliable. No matter if you are at home or away your fish will eat on time and stay healthy and grow faster.

Unique features

- ▶ Feed times 1-5 times daily.
Feeding length 2 times 1-99 seconds per setting.
2 step feeding A/B to optimise feeding.
Interval A/B max. 1-99 minutes.
- ▶ Set shooting range 1,5-4 meter.
Manual knob for direct feeding.
- ▶ Holds up to 3 kg pellet food (6 litre).
- ▶ Suitable for pellet 2-10 mm (mini-medium-large). No sticks or flake.
- ▶ Feed up to 0-1500 gram daily.
- ▶ Outlet cap to control feed distance for feeding in small tanks.
- ▶ Computers works on rechargeable battery, lasts 1 month without power, automatic recharge.

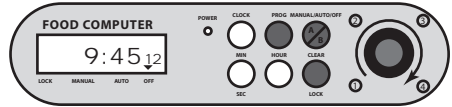
Safety

- ▶ Do not plug in before read manual.
- ▶ First fix feeder with pin or screws
- ▶ Fit plug to waterproof socket only.
- ▶ Never drop in the water.
- ▶ Do not open the housing covering electrical components.
Please contact your dealer for more information about repairs.

Setting

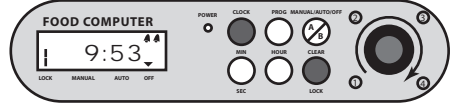
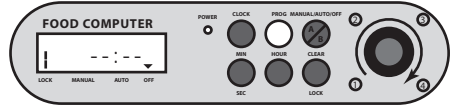
1. Set the clock

- a. Press CLOCK and hold
- b. Press HOUR or MIN to set the time



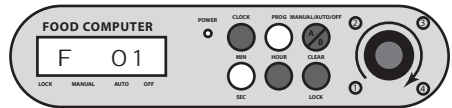
2. Set feeding time

- a. Press PROG. You will see 1 in display.
- b. Press HOUR or MIN to set the feeding time.
- c. Choose if you want 1 or 2 times feeding per session by pushing A/B button On/Off (see step 4)
- d. Confirm setting by pressing PROG.
- e. Set feeding time 2 to 5 in the same way. Confirm settings by pressing PROG.



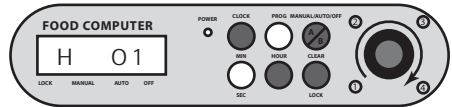
3. Set feeding length/food amount

- a. F 01 appears on the display.
- b. Press SEC to set feeding length/amount of food in seconds (1-99 seconds).
- c. Confirm by pressing PROG.



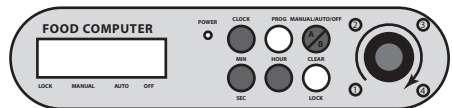
4. Set interval time A/B (optional)

- a. H 01 appears on the display
- b. Press MIN to set minutes interval time in between A/B feeding (1-99 minutes)
- c. Confirm by pressing PROG.



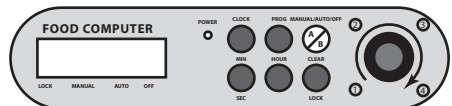
5. Change feeding times

- a. Press PROG.
- b. Press CLEAR to clear settings
- c. Follow step 2 to 4.



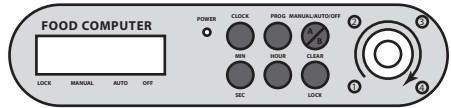
6. Set function manual, automatic or off

- a. Press MANUAL/AUTO/OFF (A/B button)



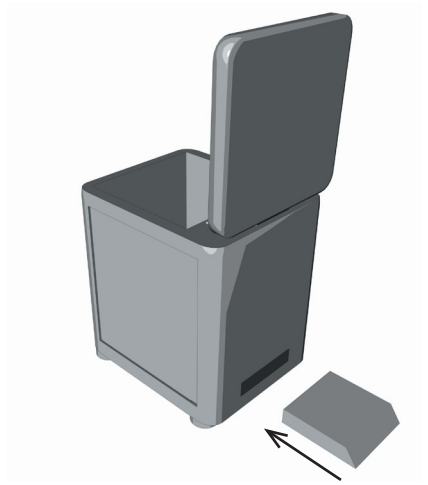
7. Set feeding distance

- a. Turn knob from 1 (close by) to 4 (far away).



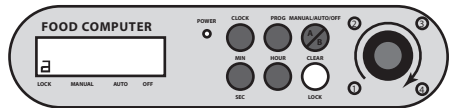
8. For close range feeding

- a. Mount outlet cap.



9. Lock setting (Children safe)

- a. Press CLEAR for 2 seconds to lock.
To unlock press CLEAR 2 seconds again.



Warranty

The product is guaranteed to be free of manufacturing defects for a period of 24 months from the date of purchase. Warranty claims arising from incorrect installation or operation are excluded. Defects caused by faulty or inadequate maintenance are not covered by this warranty. The supplier is in no way responsible for damage caused by incorrect use of the product. The supplier is not liable for consequential loss or damage. The warranty lapses if additional holes and/or attachments are made or affixed in or on the casing which are not part of the standard specification.